



Submersible Pump Application Data Sheet

Please fill out data needed to correctly size and specify the pump.

Date ___/___/___

Description/Name of liquid(s)/slurry: _____

pH range (high/low/norm): _____ Temperature range/norm: _____ Specific gravity _____

Corrosives, chlorides or solvents: _____

Abrasive components: _____

Solids size (max) and description: _____

Flow rate required: _____ Pressure (full range if filter press): _____

Current piping materials used to successfully handle liquid(s): _____

Materials of pump construction requested: _____

End User and/or Plant Data

Company Name: _____

Location (city/state): _____

Industry: _____

Contact: _____ Phone: _____

Email: _____ Fax: _____

Requesting Company Information

Company Name: _____

Location (city/state): _____

Contact: _____ Phone: _____

Email: _____ Fax: _____

Air pressure available: _____ Line Size: _____

110 vac available: _____ Electrical Classification: _____

Indoors/outdoors/temperature? _____

L = length of pipe run _____

H = vertical height required _____

Diameter of pipe run _____

See piping diagram

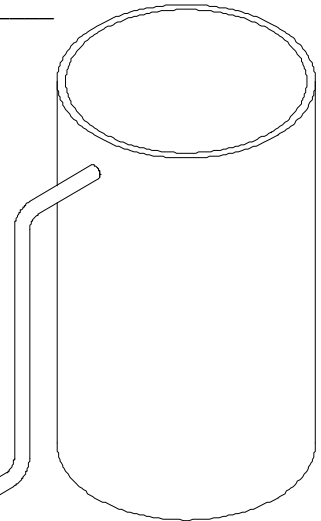
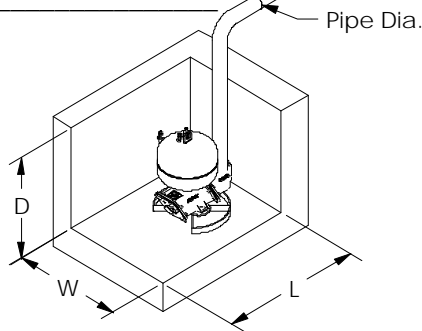
Sump Dimension (important)

D= sump depth = _____

Max. Liquid depth = _____

W= sump width = _____

L= sump length = _____



Is discharge line pressurized?

___Y___N

If Yes: _____ psi?

Is destination a tank/vessel (as shown)?

___Y___N

Liquid Level Range (above floor):

High _____ Low _____

Entry? _____ Bottom

_____ Top

Simplified Process Solutions

CARL SOILEAU
ph 225-921-2126
Carl@simplifiedpro.com

11647 CEDAR PARK AVE.
BATON ROUGE, LA 70809
www.simplifiedpro.com

BENNY BROUILLETTE
ph 225-610-4600
Benny@simplifiedpro.com